

# Spare Parts List



S3 / S3 hydra  
S2 / S2 hydra / S2-Trail



**boqball** 

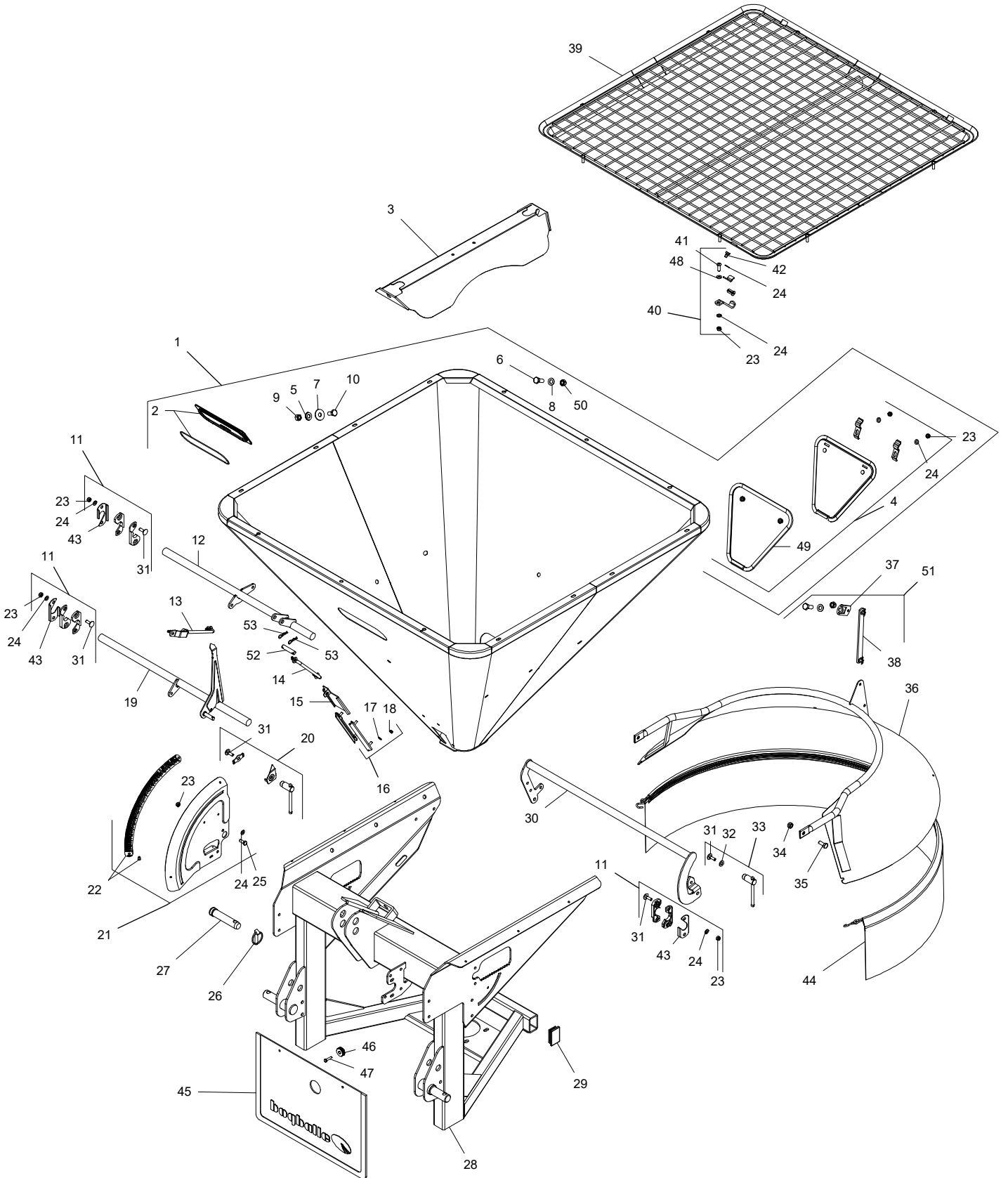


## Table of Contents

---

<b>S3</b>	
Chassis.....	4
Hopper.....	4
Transmission .....	10
Agitator .....	14
<b>S3 hydra</b>	
Chassis.....	4
Hopper.....	4
Transmission .....	12
Agitator .....	14
<b>S2</b>	
Chassis.....	6
Hopper.....	6
Transmission .....	10
Agitator .....	14
<b>S2 hydra</b>	
Chassis.....	6
Hopper.....	6
Transmission .....	12
Agitator .....	14
<b>S2-Trail</b>	
Chassis.....	6
Hopper.....	6
Transmission .....	8
Plough handles.....	8
Agitator .....	14
<b>Notes</b>	
Notes .....	16

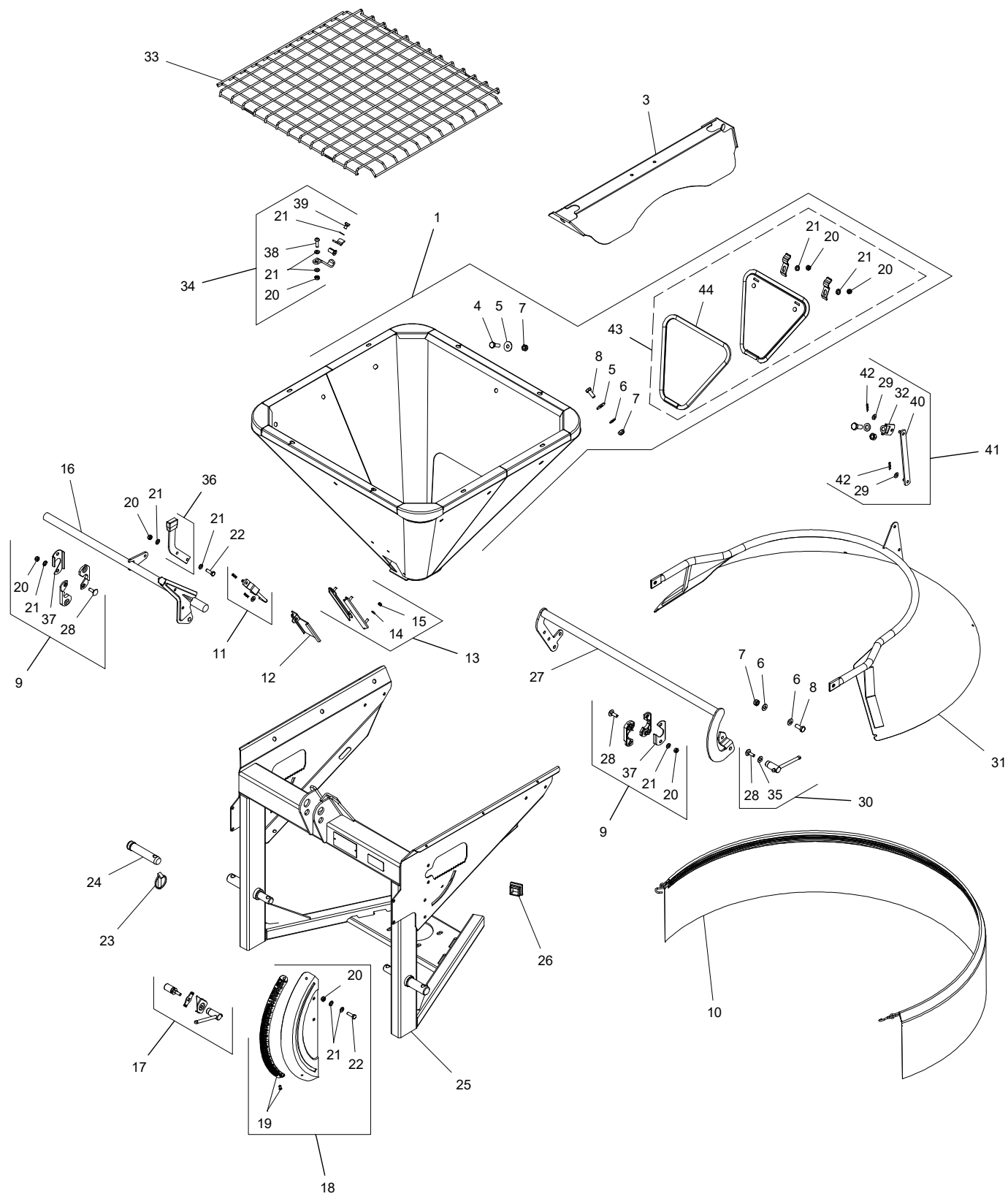
# Chassis / Hopper



## Chassis / Hopper

Pos. No.	Order no.	Notes.	Pos. No.	Order no.	Notes.
1	2310-20		47	9961-14	M6x25
2	6311-32		48	9930-51	D8 PA
3	2310-10		49	2310-15	
4	2310-14		50	9965-03	M12x30
5	9931-06	D12/19	51	2354-17	
6	9965-01	M12x35	52	4581-29	
7	9930-10	D13/27	53	9934-32	
8	9930-35	D13/24			
9	9969-62	M12			
10	9964-43	M12x25			
11	6340-05				
12	2340-02				
13	2341-00				
14	2341-04				
15	2344-10				
16	2344-00				
17	9930-02	D6/12			
18	9969-16	M6			
19	2340-01				
20	6381-13				
21	2340-19				
22	6840-25				
23	9969-32	M8			
24	9930-32	D8/17			
25	9962-04	M8x20			
26	9938-74				
27	6320-04				
28	2320-01				
29	9990-07				
30	2354-10				
31	9962-17	M8x25 MH			
32	9930-54	D10 PA			
33	2354-09				
34	9969-45	M10			
35	9963-01	M10x25			
36	2354-05				
37	2354-15				
38	4442-25				
39	2313-02				
40	2113-05				
41	9962-20	M8x25 BH			
42	9962-19	M8x12			
43	6340-07				
44	2911-10				
45	2375-01				
46	9990-43				

# Chassis / Hopper

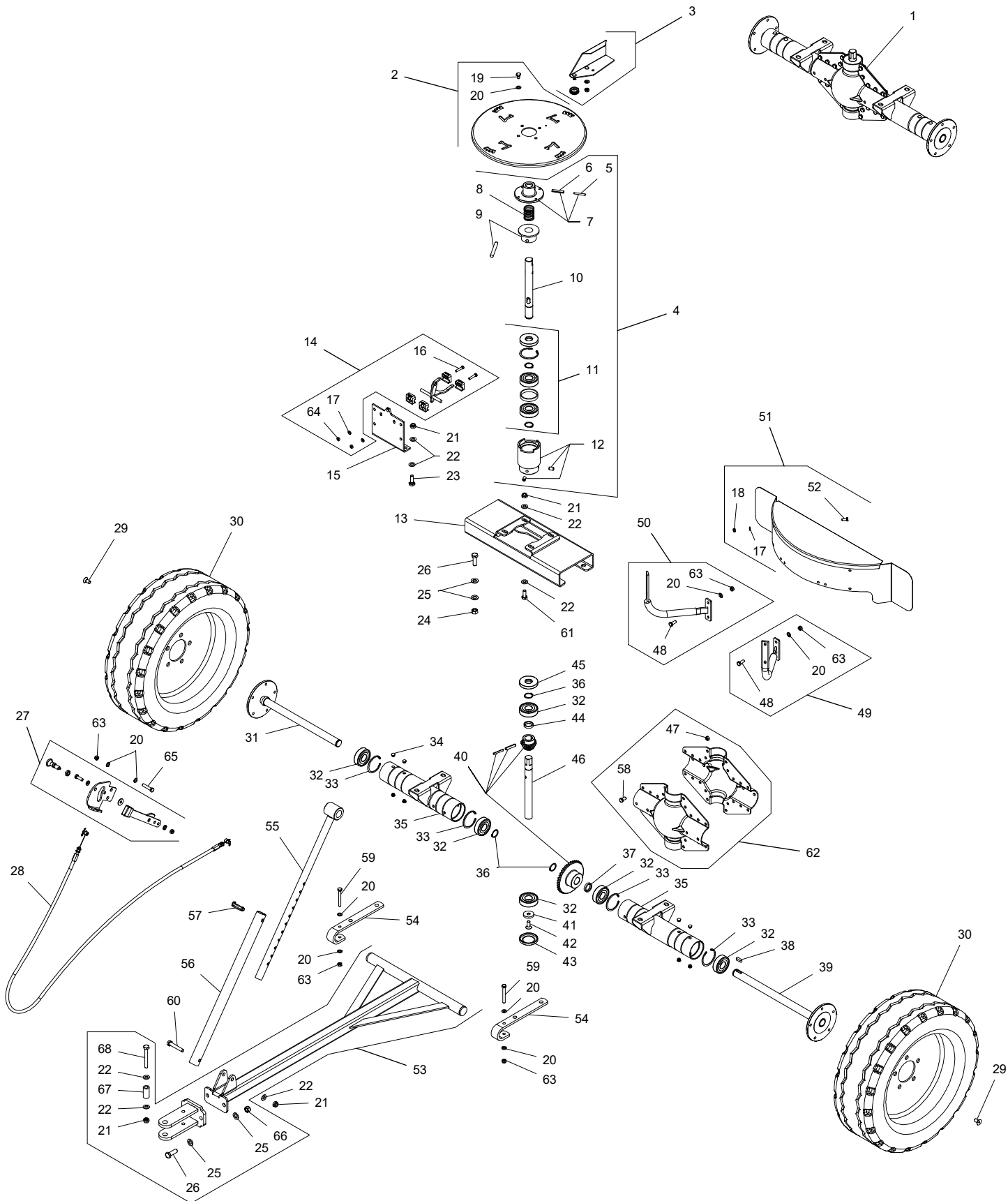


**Chassis / Hopper**

Pos. No.	Order no.	Notes.	Pos. No.	Order no.	Notes.
1	2110-01				
2					
3	2310-10				
4	9963-12	M10x30			
5	9930-25	D11/30			
6	9968-44	D11/21			
7	9969-45	M10			
8	9963-01	M10x25			
9	6340-05				
10	2911-10				
11	2141-01				
12	2344-10				
13	2344-00				
14	9930-02	D6/12			
15	9969-16	M6			
16	2140-01				
17	6840-30				
18	2140-09				
19	6840-25				
20	9969-32	M8			
21	9930-32	D8/17			
22	9962-05	M8x25			
23	9938-74				
24	6320-04				
25	2120-01				
26	9990-14				
27	2354-10				
28	9962-17	M8x25 MH			
29	9930-51	D8 PA			
30	2354-09				
31	2354-05				
32	2354-15				
33	2113-02				
34	2113-05				
35	9930-54	D10 PA			
36	2140-15				
37	6340-07				
38	9962-20	M8x25 BH			
39	9962-19	M8x12			
40	4442-25				
41	2354-17				
42	9934-31				
43	2310-14				
44	2310-15				

Chassis / Hopper

# Transmission / Plough handles

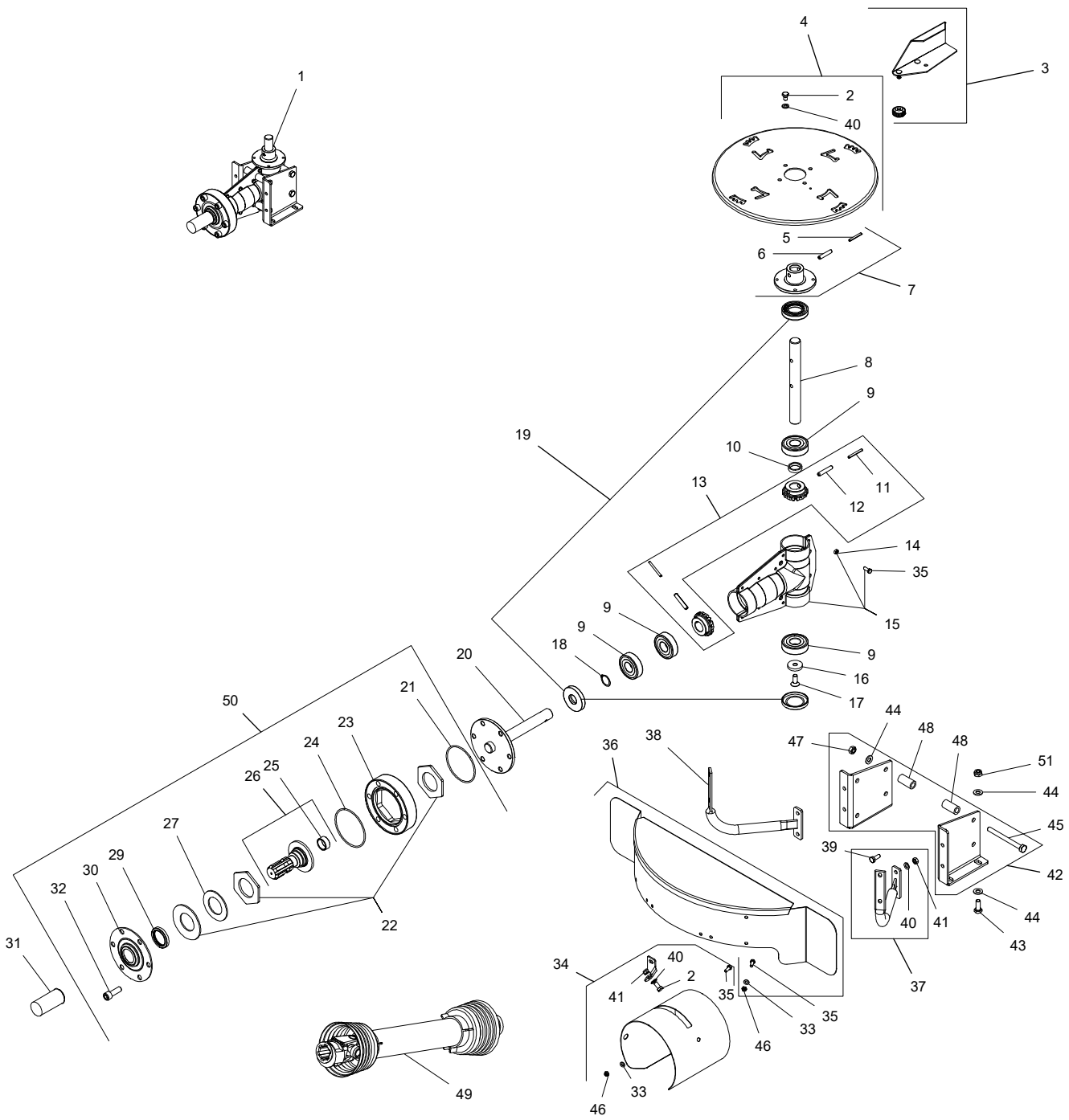




## Transmission / Plough handles

Pos. No.	Order no.	Notes.	Pos. No.	Order no.	Notes.
1	2860-11		47	9969-31	M8
2	2351-01		48	9962-04	M8x20
3	2350-10		49	2854-05	Left
4	2160-90		50	2854-06	Right
5	9933-11	Ø5x40	51	2353-00	
6	9933-02	Ø8x40	52	9961-04	M6x16
7	2351-10		53	2160-40	
8	9934-27		54	2860-57	
9	2160-94		55	2860-50	
10	2160-92		56	2860-55	
11	2160-98		57	9938-73	
12	2160-97		58	9962-03	M8x16
13	2160-60		59	9962-14	M8x65
14	2161-09		60	N/A	M10x60
15	2161-15		61	9963-01	M10x25
16	9961-06	M6x30	62	4460-01	
17	9930-02	D6/14	63	9969-32	M8 Lock nut
18	9969-16	M6	64	9969-15	M6
19	9962-19	M8x12	65	9962-11	M8x40
20	9930-32	D8/17	66	9969-62	M12 Lock nut
21	9969-45	M10 Lock nut	67	3250-08	
22	9968-44	D10/21	68	9963-20	M10x80
23	9963-12	M10x30			
24	9969-60	M12			
25	9930-35	D13/24			
26	9965-01	M12x35			
27	2160-30				
28	2160-20				
29	9963-15	M10x20 US			
30	9980-02	6.00x9"			
31	2860-15	Right			
32	9950-02	6305 2RS			
33	9937-40	I60			
34	9990-28				
35	4457-02				
36	9937-00	U25			
37	2860-32				
38	9931-56	8x7x25			
39	2860-19	Left			
40	2860-14	16/40 Teeth			
41	3260-04				
42	9963-07	M10x25 US			
43	3260-05				
44	N/A				
45	9936-36	Ø25x62x10			
46	2860-39				

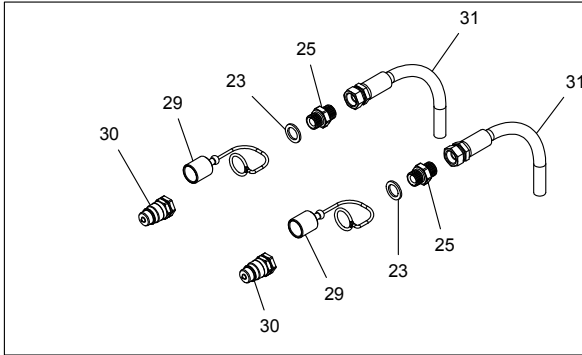
# Transmission



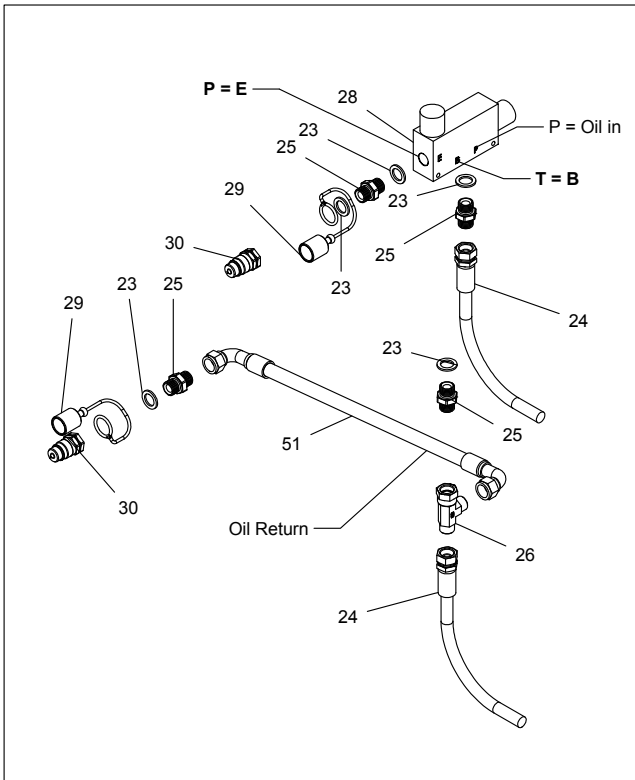
## Transmission

Pos. No.	Order no.	Notes.	Pos. No.	Order no.	Notes.
1	2350-01		47	9969-46	M10
2	9962-19	M8x12	48	3250-08	
3	2350-10		49	9985-27	
4	2351-01		50	2363-10	
5	9933-11	Ø5x40	51	9969-45	M10 Lock nut
6	9933-02	Ø8x40			
7	2351-10				
8	3262-03				
9	9950-02	6305-2RS			
10	3262-05				
11	9933-17	Ø5x45			
12	9933-12	Ø8x45			
13	3265-02	15 Teeth			
14	9969-15	M6			
15	3260-03				
16	3260-04				
17	9963-07	M10x25			
18	9937-00	U25			
19	3265-01				
20	3261-02				
21	9936-10	Ø89,5			
22	2363-15				
23	3263-20				
24	9936-09	Ø94			
25	9990-90				
26	3263-11				
27	3263-12				
29	9936-49	38x52x7			
30	3263-13				
31	9985-84				
32	9965-09	M12x35			
33	9930-02	D6/12			
34	2853-09				
35	9961-04	M6x16			
36	2353-00				
37	2854-05	Left			
38	2854-06	Right			
39	9962-04	M8x20			
40	9930-32	D8/17			
41	9969-31	M8			
42	3250-07				
43	9963-01	M10x25			
44	9968-44	D10/21			
45	9963-08	M10x110			
46	9969-16	M6 Lock nut			

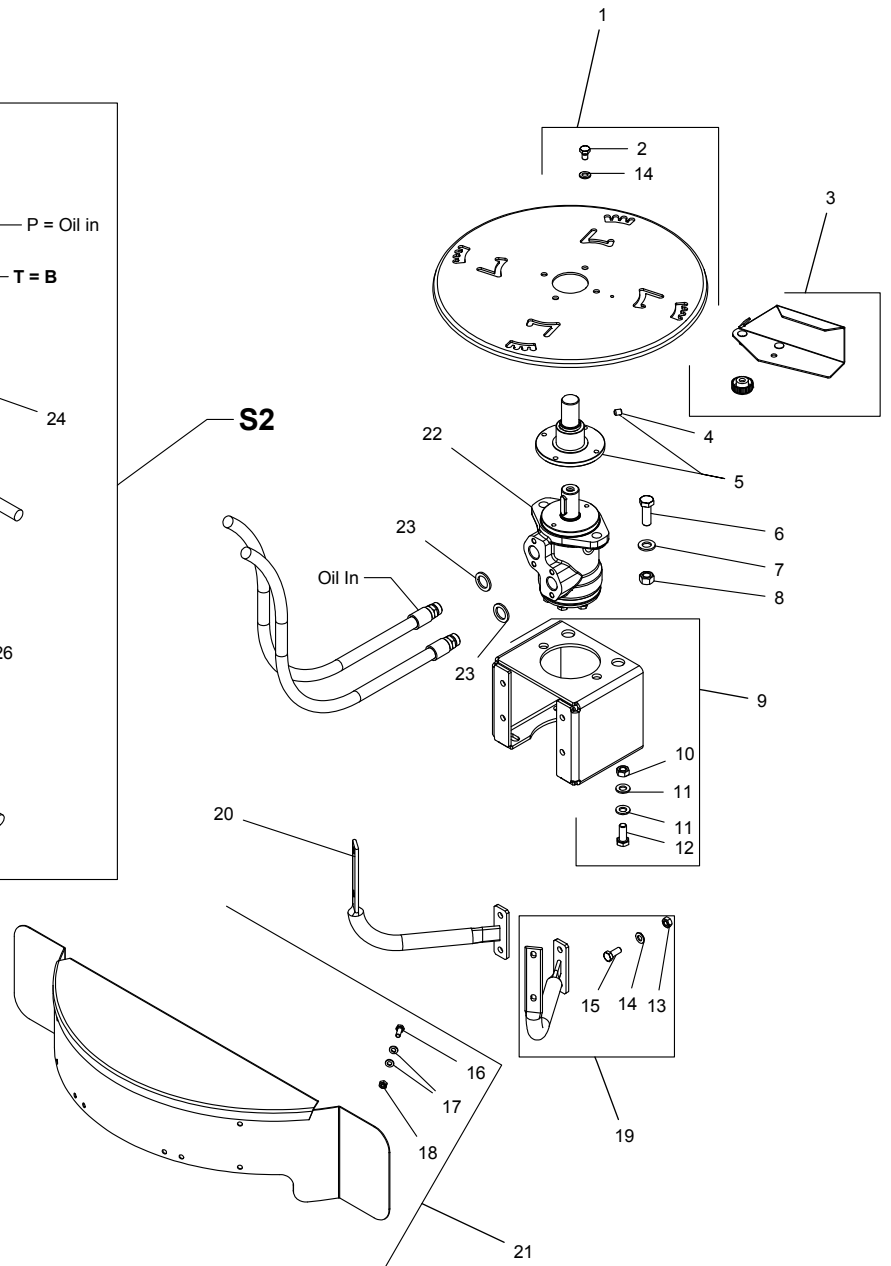
Transmission



S3



S2

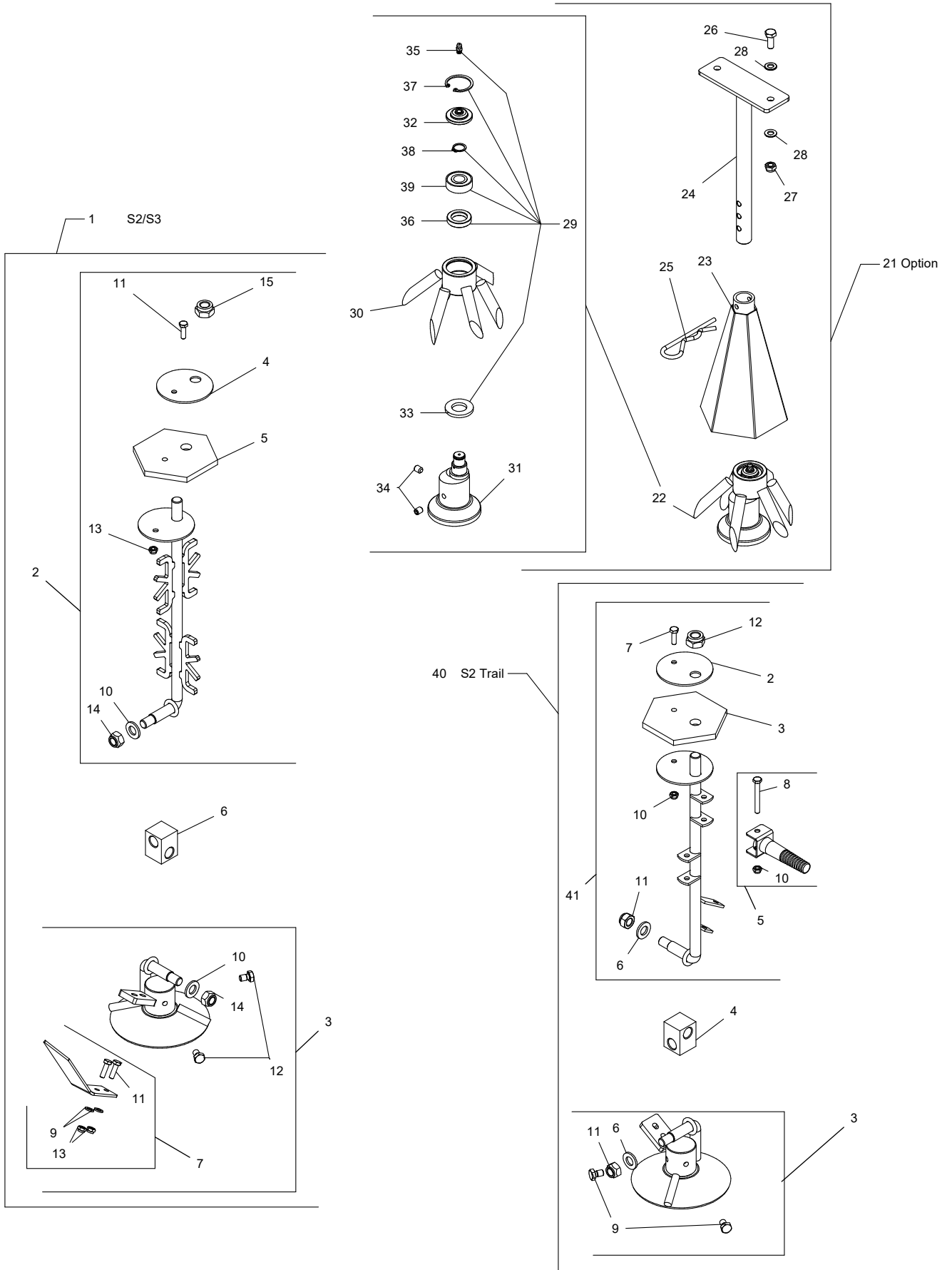


**Transmission**

Pos. No.	Order no.	Notes.	Pos. No.	Order no.	Notes.
1	2351-01				
2	9962-19	M8x12			
3	2350-10				
4	9913-20	M8x10			
5	2351-19				
6	9965-01	M12x35			
7	9930-35	D13/24			
8	9969-60	M12			
9	2351-14				
10	9969-46	M10			
11	9968-44	D11/21			
12	9963-01	M10x25			
13	9969-31	M8			
14	9930-32	D8/17			
15	9962-04	M8x20			
16	9961-04	M6x16			
17	9930-02	D6/14			
18	9969-15	M6			
19	2854-05	Left			
20	2854-06	Right			
21	2353-00				
22	9982-19	50ccm (S2)			
22	9982-18	80ccm (S3)			
23	9936-80	1/2"			
24	9983-46	S2			
25	9990-92	1/2" / 1/2"			
26	9990-79	1/2" T			
27	9983-45				
28	9982-07	90/55L			
29	9990-19				
30	9983-09	1/2"			
31	9983-49	S3			

Transmission

Agitator



**Agitator**

Pos. No.	Order no.	Notes.	Pos. No.	Order no.	Notes.
1	2330-30	S2/S3			
2	2330-31				
3	2355-30				
4	2330-05				
5	2330-06				
6	2330-34				
7	2355-21				
8					
9	9930-02	D6/12			
10	9930-35	D13/24			
11	9961-12	M6x20			
12	9962-19	M8x12			
13	9969-16	M6			
14	9969-62	M12			
15	9969-70	M14			
21	2386-01	Option			
22	2891-05				
23	2891-20				
24	2386-05				
25	9934-30				
26	9962-04	M8x20			
27	9969-32	M8			
28	9930-32	D8x17			
29	4056-10				
30	2891-06				
31	2891-10				
32	4056-03				
33	4056-04	Ø20x37x4			
34	9913-20	M8x10			
35	9935-10	M6			
36	9936-44	Ø20x32x7			
37	9937-09	I35			
38	9937-15	U15			
39	9950-01	6202 1RS			
40	2160-77	S2-Trail			
41	2160-78				
42	2860-73				
43	9961-13	M6x50			

Agitator











FIND MORE INFORMATION ON  
**[www.bogballe.com](http://www.bogballe.com)**